

# *XC4200W Power Washer*

## *Parts Manual*

Model G0088730

 **WARNING**

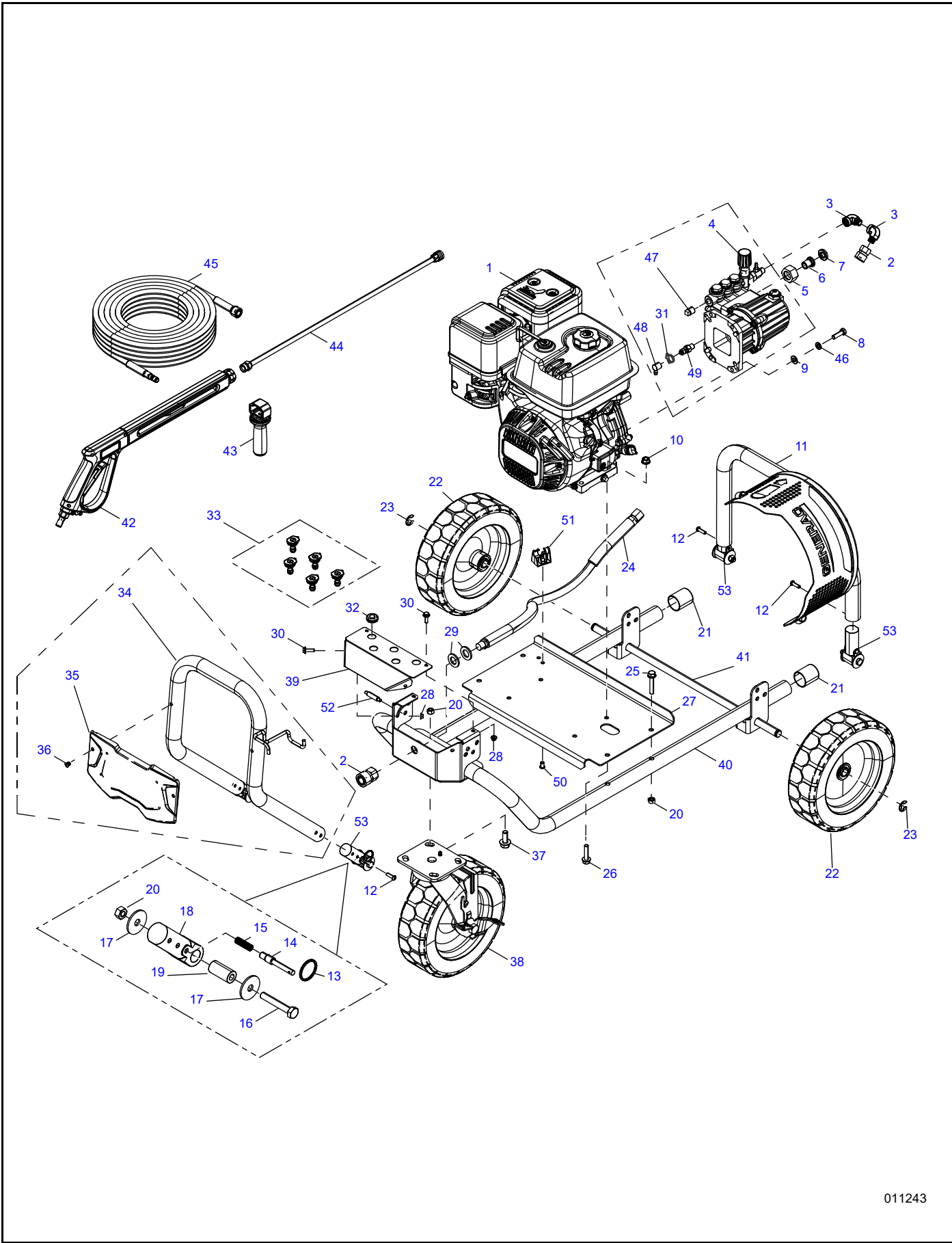
**CANCER AND REPRODUCTIVE HARM**

[www.P65Warnings.ca.gov](http://www.P65Warnings.ca.gov)

(000393a)

The information in this manual is known to be accurate as of the date of release shown on the cover. However, engineering changes can occur without notice. To obtain the proper parts, be sure to use the serial number of the unit being serviced when ordering from this manual. Always refer to any part notes and changes before ordering. All other parts not shown in the manual can be found on Generac's exploded view drawings at [www.generac.com](http://www.generac.com) or by contacting your local authorized dealer.

**[www.generac.com](http://www.generac.com) or 1-888-GENERAC**



011243

**QUICK REFERENCE GUIDE**

<b>Engine Size</b>	<b>Fuel</b>	<b>Engine Part No.</b>
420CC	GASOLINE	0K3133

**QUICK REFERENCE PARTS**

<b>Description</b>	<b>Part No.</b>	<b>Special Notes</b>
Air Filter Element	0K22930120	
Spark Plug	0J00620106	

ITEM	PART NO.	DESCRIPTION	QTY
1	0K3133	ENGINE 420CC	1
2	0H9568	COUPLING-FEMALE QDISK	2
3	A0000264040	FITTING, 3/8" NPT 90°	2
4	A0000940150	ASSEMBLY, CAT PUMP	1
5	0J1445	NUT, GARDEN HOSE INLET	1
6	A0000264041	NIPPLE, GARDEN HOSE INLET	1
7	0J1444	SCREEN, GARDEN HOSE INLET	1
8	G042909	SCREW HHC M8-1.25X30 C8.8	4
9	G022145	WASHER, FLAT 5/16-M8 ZINC	4
10	G067989	NUT HEX FL WHIZ M8X1.25	4
11	A0000312353	ASSEMBLY, BUCKET HOLDER	1
12	0J5086	SCREW BHSC M6-1.0 X 20 ZP	8
13	ORDER #53	SPLIT RING (KEY RING)	1
14	ORDER #53	PIN, PULL	1
15	ORDER #53	SPRING, COMPRESSION	1
16	G051731	SCREW HHC M8-1.25 X 50 C8.8	4
17	ORDER #53	WASHER, FLAT .334ID X1.25OD	8
18	ORDER #53	KNUCKLE	4
19	ORDER #53	BUSHING, HANDLE BEARING	4
20	G049820	NUT, HEX LOCK M8-1.25 NY INS	8
21	A0000350054	CAP, 1.25" PVC TUBE	2
22	10000003228	WHEEL 10"	2

ITEM	PART NO.	DESCRIPTION	QTY
23	0J2686	RING, SNAP-5/8 TYPE E	2
24	A0000641209	HOSE, BRAIDED 3/8" X 39.5" W/QC	1
25	0H1779	SCREW HHFC M8-1.25 X 45	4
26	G073144	SCREW, HHFC M8-1.25 X 45 G8.8	4
27	A0000264045	PLATE, BASE	1
28	0E6423	NUT, HEX FL WHIZ M5-0.8	4
29	0A1646	WASHER, FLAT M16	2
30	A0000773477	SCREW, HHFC M5-0.8 X 16	4
31	0C7649	CLAMP, HOSE .38-.87	1
32	0J3079	GROMMET, NOZZLE	5
33	0H9617E	KIT, NOZZLE 045	1
34	A0000940812	ASSEMBLY, HANDLE WITH BILLBOARD	1
35	ORDER #34	BILLBOARD, W/ DECAL	4
36	ORDER #34	RIVET, POP .25X0.625 STL BLK	2
37	G059012	SCREW HHFC M8X1.25 X20 G8.8	4
38	A0000441173	10" SWIVEL CASTER W/WHEEL	1
39	A0000940858	ASSEMBLY, BRACKET COVER W/ DECAL 4200	1
40	A0000346455	ASSEMBLY, CRADLE WELDMENT	1
41	A0000264092	AXLE 5/8	1
42	0K6183	GUN, PROF W/QC	1
43	0J1052	HANDLE, GUN SUPPORT	1
44	0K9900A	LANCE ASSEMBLY, 29" SS	1

ITEM	PART NO.	DESCRIPTION	QTY
45	0K5465A	HOSE, 3/8" X 35' W/QC	1
46	G022129	WASHER, LOCK M8-5/16	4
47	0D4788	PLUG, STD PIPE 3/8 STEEL SQ HD	1
48	A0000560770	CAP, THERMAL RELIEF VALVE	1
49	A0000560782	VALVE, THERMAL RELIEF	1
50	0G7717	SCREW HH HI-LO M6.3X10MM	2
51	A0000635613	HOSE, STANDOFF	1
52	ORDER #53	PIN, STOP	1
53	A0000940863	ASSEMBLY, KNUCKLE	4
N/S	0J5710	DETERGENT HOSE AND FILTER	1

N/A = Not Available

N/S = Not Shown

**NOTE:** To order replacement engine parts, see manual 0K3133PMNL.

**NOTE:** To order replacement pump parts, see manual A0000945455.

Part No. A0000877781 Rev. A 08/12/2020  
 ©2020 Generac Power Systems, Inc.  
 All rights reserved.  
 Specifications are subject to change without notice.  
 No reproduction allowed in any form without prior written consent from Generac Power Systems, Inc.

**GENERAC** | **PRO**

Generac Power Systems, Inc.  
 S45 W29290 Hwy. 59  
 Waukesha, WI 53189  
 1-888-GENERAC (1-888-436-3722)  
[www.generac.com/pro](http://www.generac.com/pro)